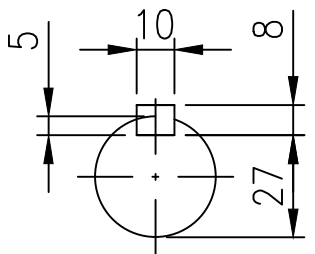
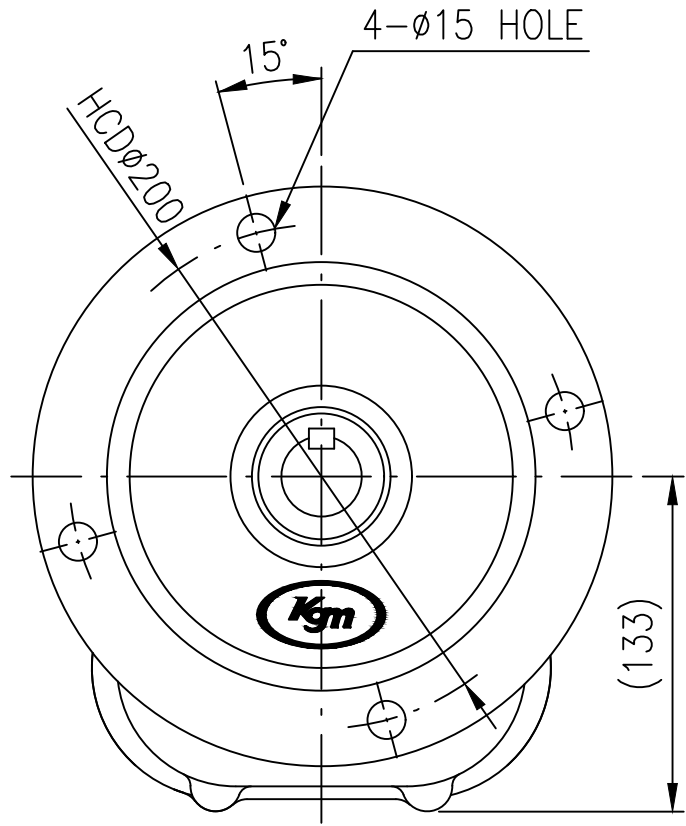
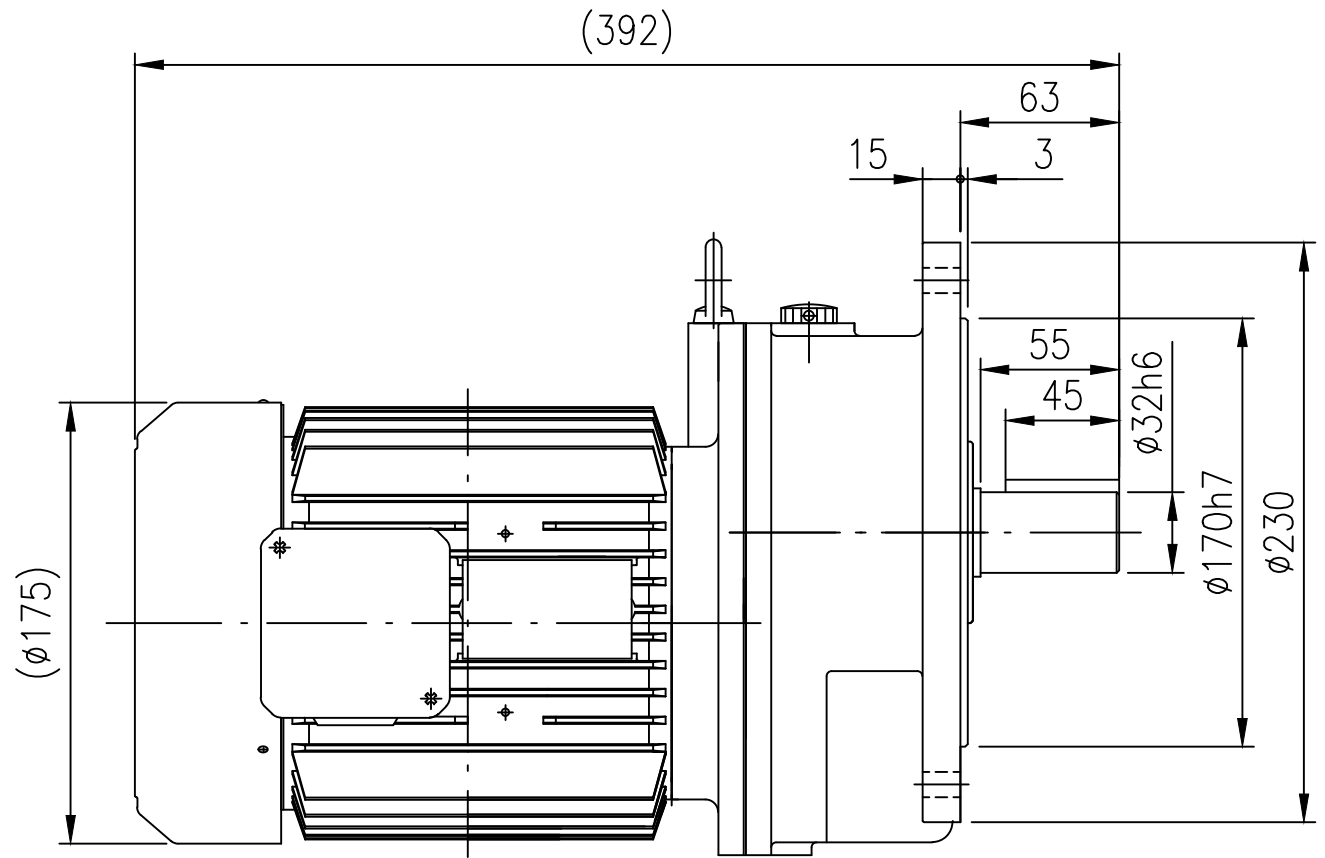


NO.	REVISION	DATE	DESIGNED	CHECKED	APPROVED
△					
△					

KV135-1HP 4P 삼상



OUTPUT SHAFT

KV135	CAPACITY (Kw)	0.75Kw 4P					WEIGHT (Kg)
	REDUCTION RATIO	1/5	1/10	1/15	1/20	1/30	
	OUTPUT R.P.M	360	180	120	90	60	

- M5*0.8
- M6* 1
- M8*1.25
- M10*1.5
- M12*1.75
- M16* 2
- M18*2.5
- M20*2.5
- M22*2.5
- M24*3

TOOTH CHAMPERING	MODULE			F	15°	1.0MM	1.65-2.35MM	표기외 일반 공차	
	5	5-15	15					각도 : ±0.2°	6 - 30 : ±0.1
HQ, T	C1	0.2	0.5	1.0	15°	1.0MM	1.65-2.35MM	CHAMFER: C1.0	30 - 120 : ±0.15
	C2	1.0	1.5	2.0				FILLET: R1.0	120 - 315 : ±0.2
HC & HQ. I	C1	0.5	1.0	2.0	15°	1.0MM	1.65-2.35MM	마무리: ▽	315 - 1000 : ±0.3
	C2	2.0	3.0	5.0				1000 이상 : ±0.5	

OUT LINE DWG						
No.	DESCRIPTION	SPECIFICATION	MAT'L	Q'TY	W/T	REMARK
TITLE SPEC.	GEARED MOTOR KV135 1HP 4P I=1/5~1/30		CUSTOMER STANDARD TYPE			
DRAWN	KSS	SCALE	1 / 1	UNIT	mm	
DESIGN	YHH	DATE	2019.07.16	PROJECTION	☞	
CHECKED		REF. No.		REV. No.	△	
APPROVED		DRAWING No.	KGM-KV135-VT-01-0D-00			