
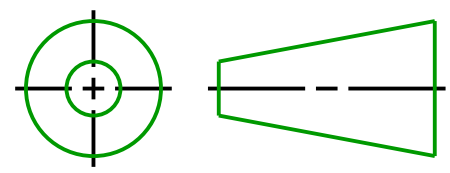


PART NO. AB1151-P040340A002 AD-P110-M94-A002					
APPROVALS	DATE	TITLE AB115 1 STAGE AND MOTOR FLANGE MOUNTING			
DRAWN		DWG NO. AB1151-P040340A002			
CHECKED					
APPROVED			SIZE A0	SCALE 1:1	REV