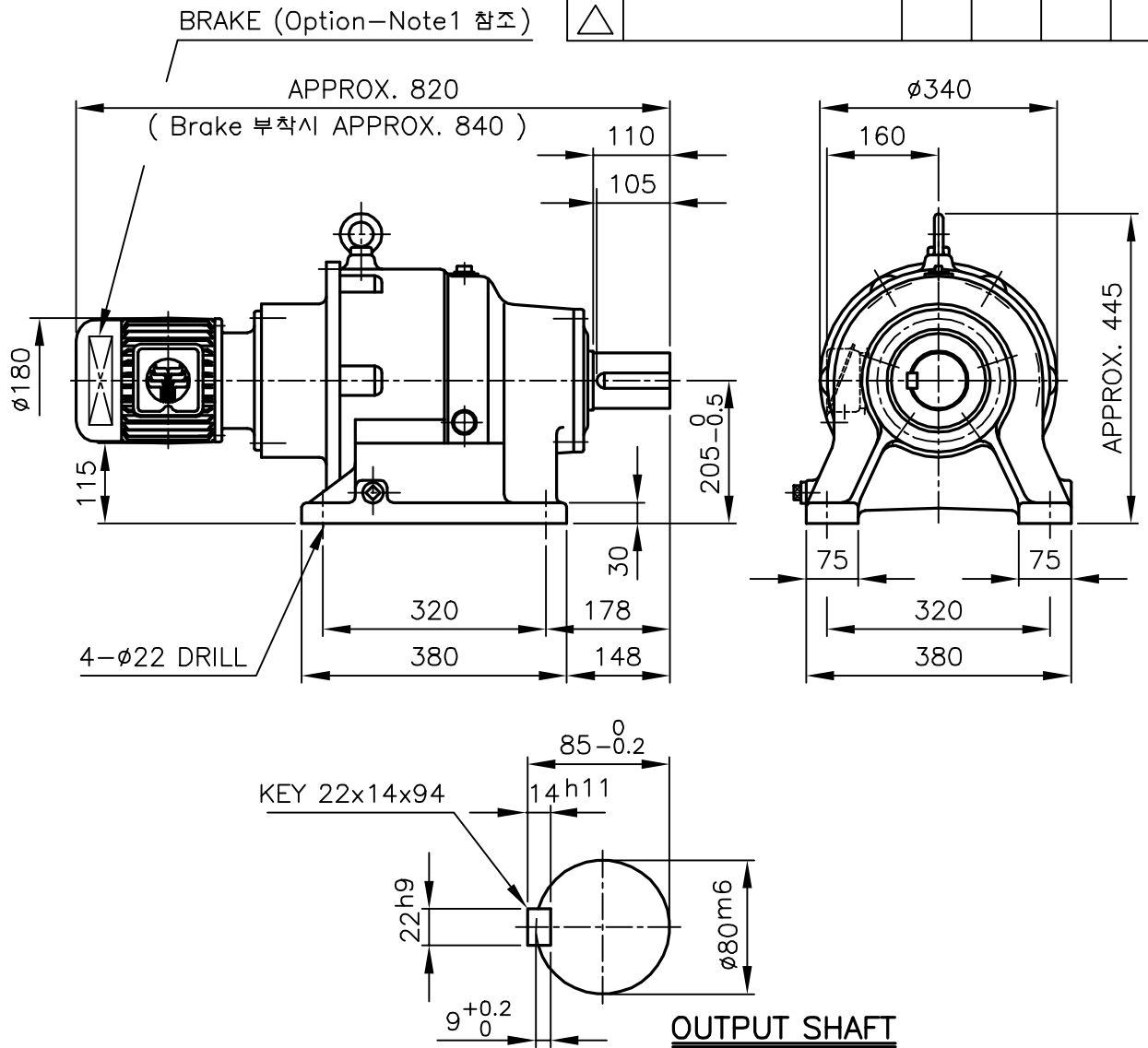


REV	DESCRIPTION	APPR	CHCK	DRWN	DATE
△					
△					
△					
△					



[NOTE] 1. Brake는 Option으로 구매자의 요구시에만 부착됩니다.  
( Brake 사양 : DC Magnetic Disc Brake "B" Type )

		BEARING							
		#6203ZZ	#6204ZZ						
적용 사양	OIL SEAL	M/B25x35x20	M/B40x50x35	OIL : ISO VG 220					
[60Hz] 0.5HP 6P 1/600 (1HP 4P 1/470) 1HP 4P 1/600	D(M) 20x32x8	M/B40x50x45		OIL QUANTITY : ABOUT 4.3 l					
	D(M) 85x110x13	#6217	#22217	WEIGHT : 193 Kg					
TYPE		PHM "G,H"		DWG. NAME					
				OUTLINE DIMENSIONS					
[50Hz] 1HP 4P 1/320~1/600	APPROV	CHECK	DESIGN	DRAWN	THIRD ANGLE PROJECTION	SCALE	1 / 10	DATE	1998.11.9
	이 98.12.4 호영	문 98.12.4 병욱	정 98.12.4 재영						
	MOTOR FRAME				80				
HYOSUNG CORPORATION				DWG NO.	P K E N 3 0 5				