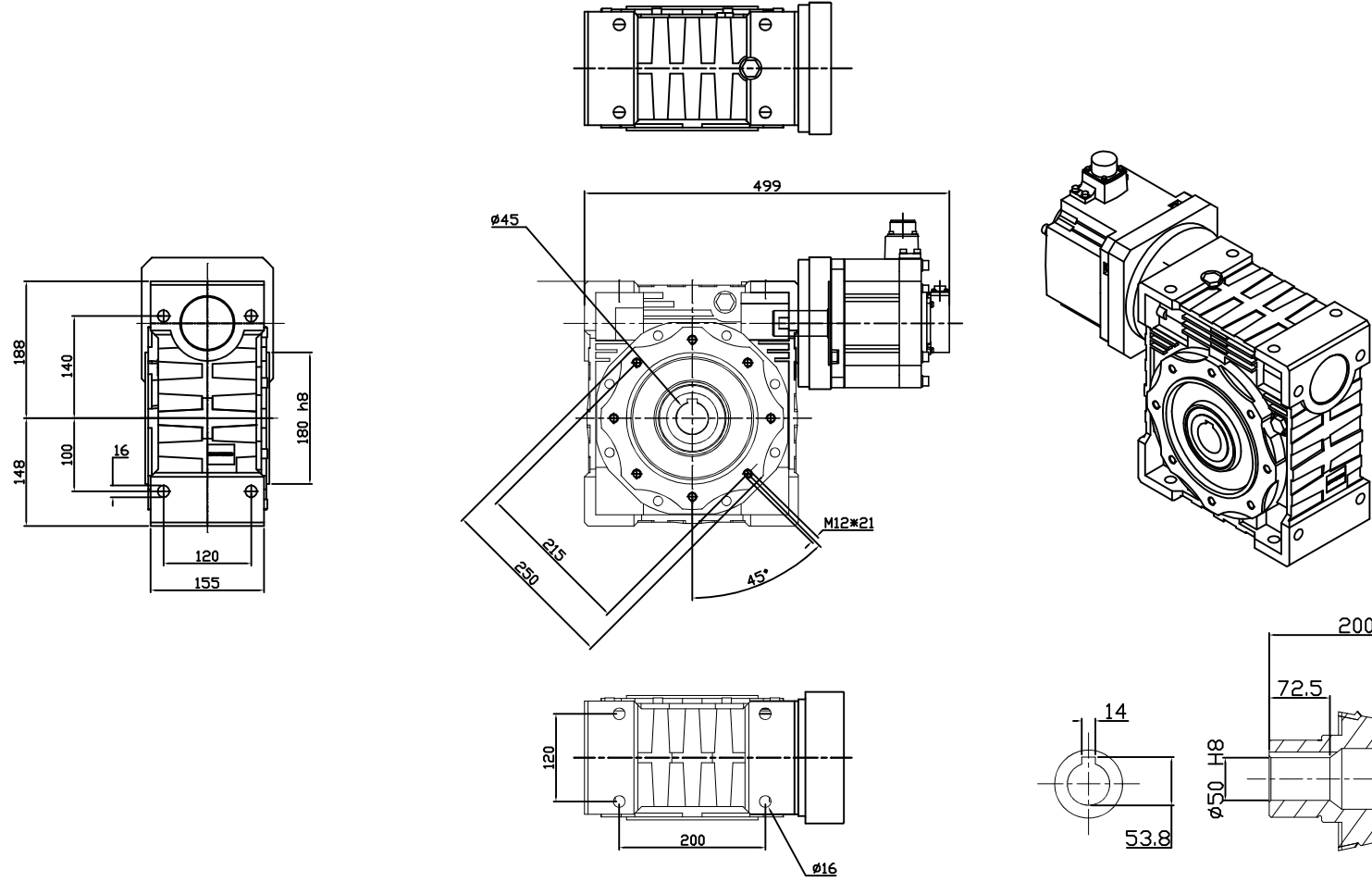




REDUCER SPEC	
MODEL	NMRV 130
SERVICE FACTOR	1.8
RATIO	40
OUTPUT [rpm]	50
OUTPUT TORQUE [Nm]	492.2
BACKLASH [arc-m]	6' - 12'
WEIGHT [kg]	43.5
MOTOR SPEC	
MODEL	HG-SR352
POWER [kW]	3.5
INPUT [rpm]	2000
WEIGHT [kg]	16



OUTPUT HOLLOW SHAFT

 (주)한국체인모터 Tel. 032-815-8888 Fax. 815-8020 www.hcmfa.com	PROJECT		MOTOVARIO					
	DRAWN	SEO Y.S	DATE	REV	A	SCALE	1:1	
	CHECKED	KIM J.S	DATE	UNIT	MM	PAGE	-	
	APPROVED	LEE J.Y	DATE					