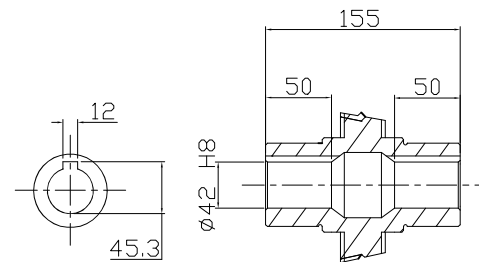
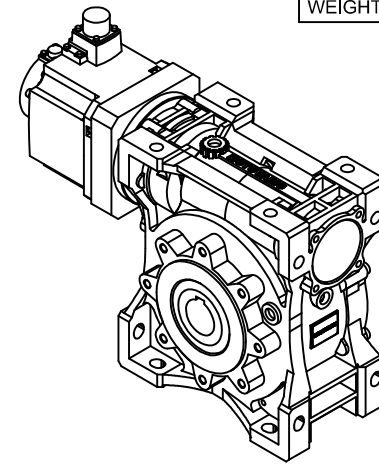
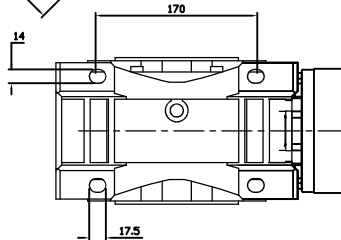
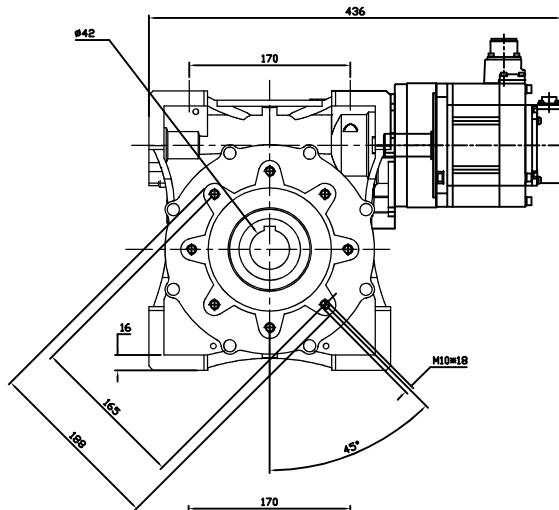
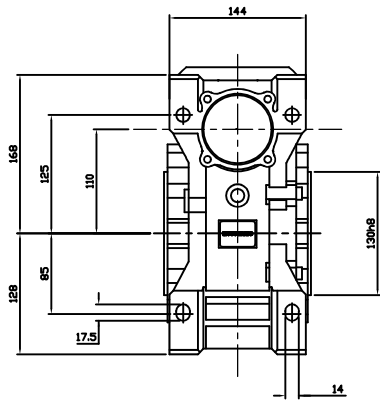


REDUCER SPEC	
MODEL	NMRV-P 110
SERVICE FACTOR	1.2
RATIO	100
OUTPUT [rpm]	20
OUTPUT TORQUE [Nm]	286.5
BACKLASH [arc-m]	6' - 14'
WEIGHT [kg]	21
MOTOR SPEC	
MODEL	HG-SR102
POWER [kW]	1
INPUT [rpm]	2000
WEIGHT [kg]	6.2



OUTPUT HOLLOW SHAFT

한국 (주)한국체인모터

Tel. 032-815-8888 Fax. 815-8020
www.hcmfa.com

PROJECT		MOTOVARIO					
DRAWN	SEO Y.S	DATE	REV	A	SCALE	1:1	
CHECKED	KIM J.S	DATE	UNIT	MM	PAGE	-	
APPROVED	LEE J.Y	DATE					